



Sapphire CD Player 192/24

# Operating Manual

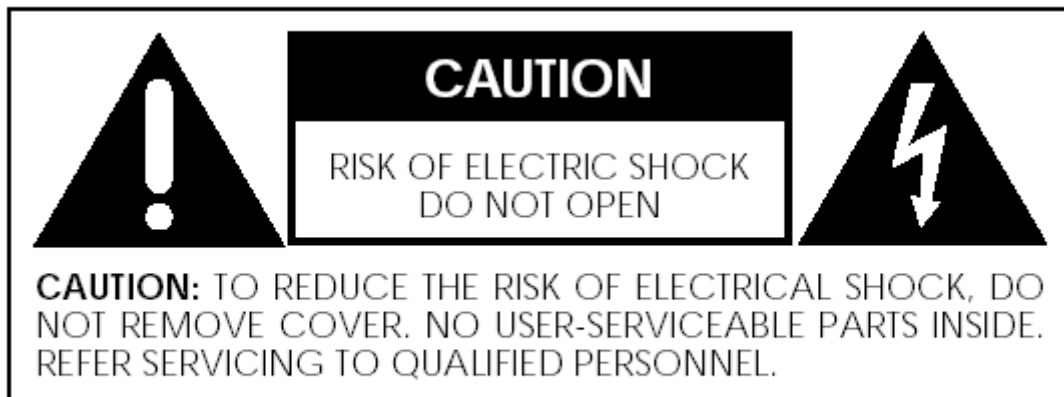
North Star Design®

SAPPHIRE

192kHz/24bit CD PLAYER



**WARNING:** TO REDUCE THE RISK OF FIRE OR ELECTRIC SHOCK, DO NOT EXPOSE THIS APPLIANCE TO RAIN OR MOISTURE.



The lightning flash with arrowhead symbol, within an equilateral triangle, is intended to alert the user to the presence of uninsulated “dangerous voltage” within the product’s enclosure that may be of sufficient magnitude to constitute a risk of electric shock to persons.



The exclamation point within an equilateral triangle is intended to alert the user to the presence of important operating and maintenance (servicing) instructions in the literature accompanying the appliance.



Marking by the “CE” symbol (shown left) indicates compliance of this device with the EMC (Electromagnetic Compatibility) and LVD (Low Voltage Directive) standards of the European Community.

# Important Safety Instructions

Please read all instructions and precautions carefully and completely before operating your North Star Design® SAPPHIRE CD PLAYER.

1. **ALWAYS** disconnect your entire system from the AC mains before connecting or disconnecting any cables, or when cleaning any component.
2. This product must be terminated with a three-conductor AC mains power cord which includes an earth ground connection. To prevent shock hazard, all three connections must **ALWAYS** be used.
3. AC extension cords are **not** recommended for use with this product.
4. **NEVER** use flammable or combustible chemicals for cleaning audio components.
5. **NEVER** operate this product with any covers removed.
6. **NEVER** wet the inside of this product with any liquid.
7. **NEVER** pour or spill liquids directly onto this unit.
8. **NEVER** bypass any fuse.
9. **NEVER** replace any fuse with a value or type other than those specified.
10. **NEVER** attempt to repair this product. If a problem occurs, contact your North Star Design® retailer.
11. **NEVER** expose this product to extremely high or low temperatures.
12. **NEVER** operate this product in an explosive atmosphere.
13. **ALWAYS** keep electrical equipment out of the reach of children.
14. **ALWAYS** unplug sensitive electronic equipment during lightning storms.

## Introduction

Welcome to the North Star Design “family” and congratulations on your purchase of our new CD PLAYER SAPPHIRE. With its combination of features, precision electronic circuitry and accurately machined chassis components throughout, your SAPPHIRE CD PLAYER will offer you many years of musically satisfying enjoyment. Please take a few moments to read the remainder of this Operating Manual. A thorough understanding of the operational features will allow you to gain the maximum performance and ease of use for which this CD PLAYER was designed.

Enjoy the music!

North Star Design s.r.l.  
Via Lenin, 132  
56010 San Martino Ulmiano (PI)  
ITALY  
Phone: +39-050-859945  
Fax: +39-050-859166  
e-mail: [info@northstar.it](mailto:info@northstar.it)  
website: [www.northstar.it](http://www.northstar.it)

## Initial Inspection

Inspect the shipping container for damage. If the shipping container, packing material, CD PLAYER or accessories are damaged or missing, notify your dealer and the shipper (if a claim is to be made). Note: Many shippers require notification and an inspection within twenty-four (24) hours of delivery to ascertain the nature of damages incurred.

Your CD PLAYER SAPPHIRE has undergone extensive performance evaluations, listening tests, quality control inspections and a minimum twenty-four (24) hour burn-in period prior to shipment and should be in a perfect operational condition upon receipt. If the CD PLAYER does not operate correctly, please notify your dealer immediately.

We strongly suggest that you save all packing materials. If the CD PLAYER is returned to your dealer the original packing materials must be used for shipment. Neither North Star Design nor the shipper can be held responsible for damages incurred during transit if the original factory packing is not used. All factory returns require that a Return Authorization number be issued by North Star Design prior to shipment.

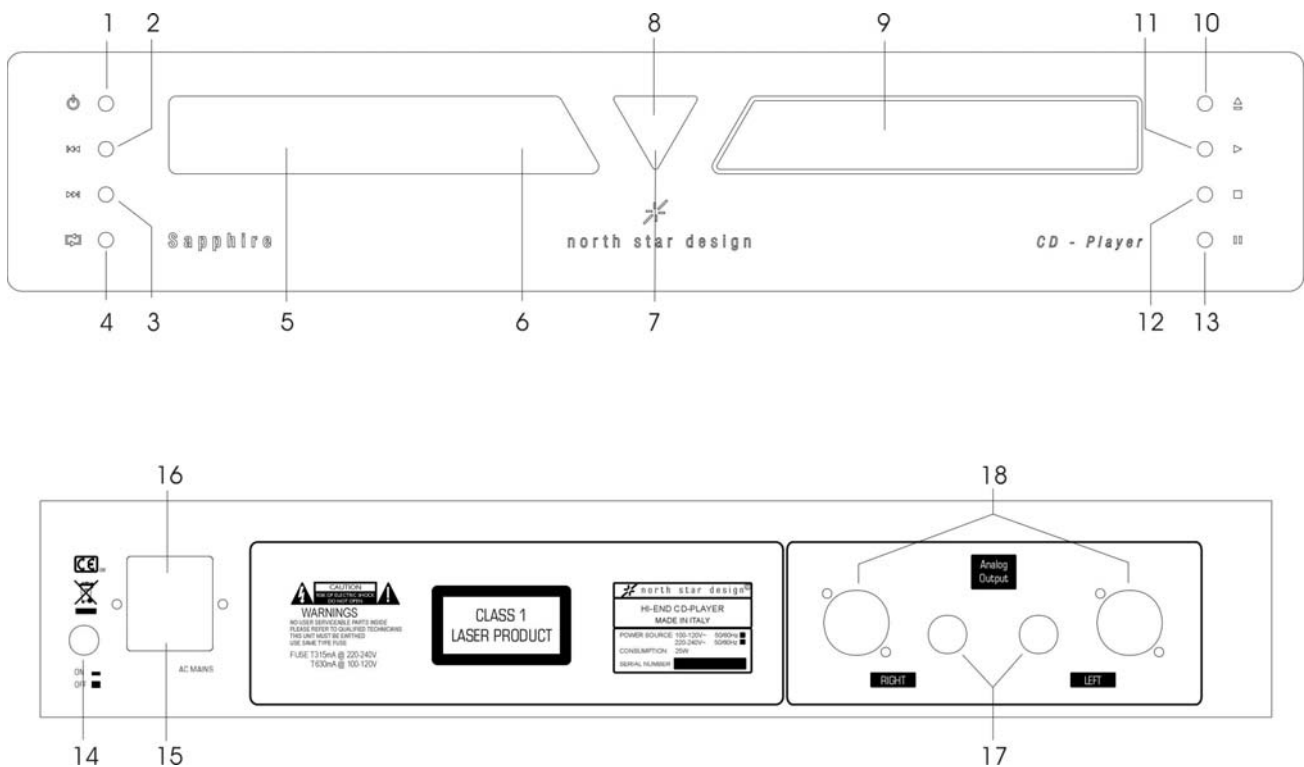
## Contents

Ensure that all of the auxiliary components listed below are enclosed into the box.

- 1 One (1) Operating Manual
- 2 One (1) AC power cable
- 3 One (1) Remote Control
- 4 One (1) warranty card (in some countries warranties are provided by the respective importer)

## Installation

Locate the SAPPHIRE CD PLAYER as close as possible to its final installation point. Allow access to the rear panel for making connections.



## Front & Rear Panel Function Controls

Before attempting any system interconnection, please familiarize yourself with the front and rear panel controls of the SAPPHIRE CD PLAYER. The descriptions below refer to the numbers and letters associated with the features in the diagram above.

### Front Panel

#### 1 STAND-BY PUSHBUTTON

When in stand-by mode, push to switch in Operate mode. When in Operate mode, push to switch in Stand-by mode.

**WARNING: Always put in stand-by the CD Player before switch-off the unit by rear panel switch.**

#### 2 PREV PUSHBUTTON

When pressed select the previous track

#### 3 NEXT PUSHBUTTON

When pressed select the next track

#### 4 REPEAT PUSHBUTTON

Press this button once and all the tracks will be repeated. The display will show «REPEAT». Press the button again, and it will only repeat the current track. The display will show «REPEAT 1»

#### 5 DISPLAY

## 6 REMOTE SENSOR RECEIVER

## 7 OPERATE LED INDICATOR

The **Operate LED** show the operating mode of your CD Player:

**Glows blue** when the CD Player is in Operation mode.

**Off** the CD Player is in Stand-by.

## 8 STAND-BY LED INDICATOR

The **Stand-by LED** show the operating mode of your CD Player:

**Glows red** when the CD Player is in Stand-by.

**Off** the CD Player is ready to use.

If the CD Player will not turn on, you may want to check the **rear panel AC mains switch**, your AC connections, or have your dealer inspect the rear panel fuses.

## 9 CD TRAY

## 10 OPEN/CLOSE PUSHBUTTON

## 11 PLAY PUSHBUTTON

## 12 STOP PUSHBUTTON

## 13 PAUSE PUSHBUTTON

## Rear Panel

### Caution!

**Switch Off the SAPPHIRE CD PLAYER when you need to connect or disconnect any cables.**

## 14 AC MAINS SWITCH

This switch may be used to disconnect the power supply from the AC mains without having to actually unplug the CD Player from the wall outlet. If you plan to be away for an extended period, or have any other reason to turn the CD Player completely off, you may use the **AC mains switch**.

## 15 AC MAINS FUSES

Two slow-blow 315mA (220-240V), 630mA (100-120V) fuses are located inside a small drawer in the AC main inlet. If you suspect that your AC fuse have blown, disconnect the CD Player from the AC mains and contact your North Star Design dealer for assistance.

## 16 AC MAINS INLET

Standard IEC power cords is provided with the SAPPHIRE CD Player. High quality power cords will improve the sonic performances; ask your North Star Design dealer.

**The North Star Design SAPPHIRE CD Player has been safety-tested and is designed for operation with a three-conductor power cord. Do not defeat the “third pin” or earth ground of the AC power cord.**

## 17 UNBALANCED ANALOGUE OUTPUT

Use this output to connect the CD Player to the input of a preamplifier or integrated amplifier using interconnect provided with RCA connectors (not shipped with the equipment).

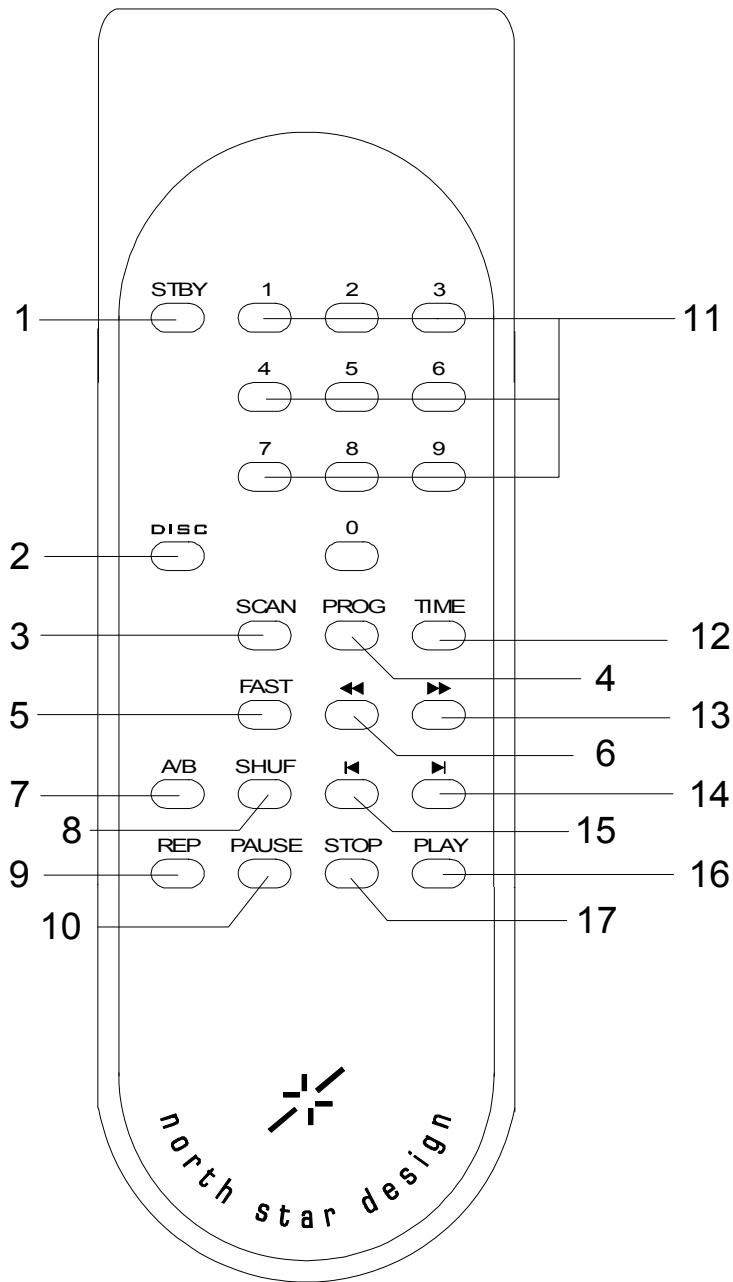
### 18 BALANCED ANALOGUE OUTPUT

Use this output to connect the CD Player to the input of a preamplifier or integrated amplifier using interconnect provided with XLR connectors (not shipped with the equipment).

**Danger! Potentially dangerous voltages and current capabilities exist within the SAPPHIRE CD Player, when connected to the AC mains. Do not attempt to open any portion of the CD Player cabinet.**

**There are no user-serviceable parts inside the SAPPHIRE CD Player. All service of this product must be referred to a qualified North Star Design dealer or distributor.**

### REMOTE CONTROL



1. STBY Standby on/off
2. DISC OPEN/CLOSE.
3. SCAN Play 10 seconds of each track.
4. PROG a. Set the CD player in STOP MODE. b. Select tracks with the numeric buttons, or step to the number using buttons > or < c. Press the PROG button - the track is programmed. Repeat b and c until all the tracks you wish to program is done. After each track is programmed, the total playtime will be shown in the display. If a track with number higher than 13 is programmed, the total playtime will not be shown. You can browse through the tracks with the buttons > and <. On the tracks that already are programmed, you will see a «P» shown in the display. If you wish to remove a track from your program, choose the track number and press PROG. To monitor what is being programmed. Go back to STOP MODE. Press PROG - The display will now show the programmed tracks in the new order. The tracks are now stored in the order you programmed them and not in the original numeric order. If you press STOP two times your program sequence will be erased.
5. FAST Activate before search for faster search.
6. << Search backwards
7. A/B Repeat a segment of the disc/track. Press the button once to mark the start Press it again at the end of the desired sequence. The selected area will play continuously until the STOP button is activated.
8. SHUF Tracks will be played in a random order.
9. REP Press this button once and all the tracks will be repeated. The display will show «REPEAT». Press the button again, and it will only repeat the current track. The display will show «REPEAT 1»
10. PAUSE On/off.
11. 0-9 Press these buttons to select a specific track on the disc. For track 10 and above, the second digit of the number must be pressed within one second.
12. TIME Elapsed time of current track is continuous displayed. First activation will display remaining time of disc. Next press will show total time of loaded disc.
13. >> Search Forward
14. Next Track
15. Previous Track
16. Play
17. Stop

## Replacing remote control batteries

Replace used batteries by gently inserting your fingernail or small screwdriver in the groove on the left side of the battery compartment cover. Lift the cover off, and insert a fresh set of batteries. Be careful to follow the + and – polarity indications at the bottom of the battery compartment. Battery: 2 x LR03 / AAA: 1.5Volts.

## SPECIFICATIONS

FREQUENCY RESPONSE	1 Hz - 20 kHz ±0.25 dB
DYNAMIC RANGE	117dB
OUTPUT LEVEL	1.8 V RMS at 1 kHz, 0 dB
THD+NOISE	> -97dB
OUTPUT IMPEDANCE	100 Ω hm min load 1 K Ω hm □ □ □ □
OUTPUT UNBALANCED	1 pair per channel (RCA)
OUTPUT BALANCED	1 pair per channel (XLR)
MAIN VOLTAGE/CONSUMPTION	230/120/100V 50/60Hz 25W
DIMENSIONS	17 in (W) x 13.8 in (D) x 3.4 in (H) 43.3 cm (W) x 35 cm (D) x 8.7 cm (H)
WEIGHT (with envelope)	26.5 lbs. (12,0 Kg)

## NOTES



NORTH STAR DESIGN s.r.l.  
VIA LENIN, 132  
56010 S.MARTINO ULMIANO (PI)  
ITALY

PHONE: +39-050-859945  
FAX: +39-050-859166  
E-MAIL: [info@northstar.it](mailto:info@northstar.it)  
WEB: [www.northstar.it](http://www.northstar.it)